

Miniature high-speed valves in stand alone, stackable or combined modules, incorporating standard logic functions. The range also includes timers and impulse modules.

- Complete range
- Stand alone, stackable or combinable modules
- Very fast response time
- Flexible and highly maintainable system
- DIN rail mounting
- Ø 4mm connection



**Operating information**

Working pressure	3 to 8 bar
Working temperature	-15 °C to 60 °C
Flow (Qmax)	180 l/min (PRD = 60 l/min)
ATEX approval:	CE Ex II 2 GD c 85°C
For more information see <a href="http://www.parker.com/euro_pneumatic">www.parker.com/euro_pneumatic</a>	

 **For ATEX specific products contact Sales Office**

**Logic sequencer**

**Step modules**



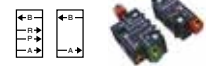
	Order code
Without sub base	<b>PSM-A10</b>
Pneumatic output	<b>PSM-A12</b>
Visual indication of pneumatic output and manual override	<b>PSM-B12</b>
With sub base	<b>PSM-B12</b>
Without manual override	

**Step module subbase**



	Order code
Subbase	<b>PSB-A12</b>
Additional interlock	<b>PSV-A12</b>

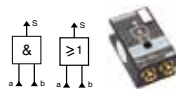
**Set of head and tail modules and deviation modules**



	Order code
Head & tail set	<b>PSE-A12</b>
Deviation standard	<b>PSD-A12</b>
Deviation for remote	<b>PSD-B12</b>

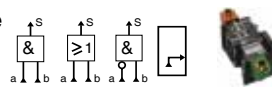
**Logic elements**

**Line mounted elements**



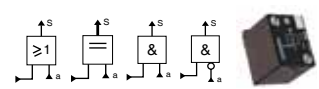
Logic Function	Order code
AND	<b>PLL-A11</b>
OR	<b>PLK-A11</b>
Clip on Din-rail	<b>PZM-L199</b>

**Combinable elements**



Logic Function	Order code
AND	<b>PLL-B12</b>
OR	<b>PLK-B12</b>
NOT	<b>PLN-B12</b>
INPUT	<b>PLE-B12</b>

**Subbase mounted elements**



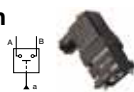
Logic Function	Order code
AND	<b>PLL-C10</b>
NOT inhibit standard	<b>PLN-C10</b>
NOT inhibit threshold	<b>PLN-D10</b>
OR	<b>PLK-C10</b>
YES regenerated	<b>PLJ-C10</b>

3 port subbase to be ordered separately.

**Logic relays**

**Pressure switch**

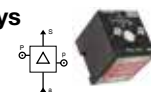
To be used with 3 port subbase



	Order code
With subbase	<b>PRE-A12</b>
Without subbase	<b>PRE-A10</b>

**Amplifier relays**

To be used with 4 port subbase



	Order code
With subbase	<b>PRD-A12</b>
Without subbase	<b>PRD-A10</b>

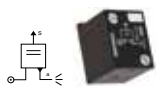
**Memory relays**

To be used with 4 port subbase



	Order code
With subbase	<b>PLM-A12</b>
Without subbase	<b>PLM-A10</b>

**Sensor relays**



	Order code
With subbase	<b>PRF-A12</b>
Without subbase	<b>PRF-A10</b>

**Time delay relays**

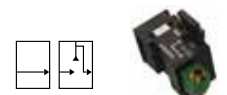
To be mounted on 3 port subbase



Function	Timing	Order code
Output after timed period	0,1 to 3s	<b>PRT-E10</b>
	0,1 to 30s	<b>PRT-A10</b>
	10 to 180s	<b>PRT-B10</b>
With subbase	0,1 to 30s	<b>PRT-A12</b>
Output during timed period	0,1 to 3s	<b>PRT-F10</b>
	0,1 to 30s	<b>PRT-C10</b>
	10 to 180s	<b>PRT-D10</b>

**Subbase for logic elements and relays**

3 port and 4 port subbases

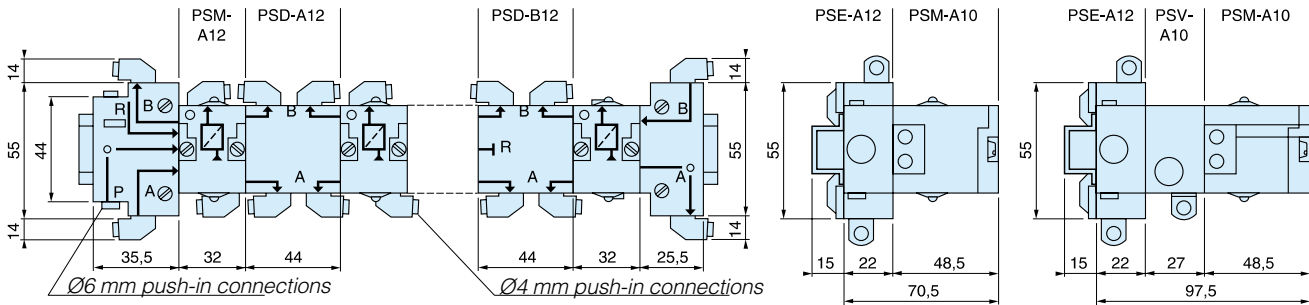


	Order code
Input module	<b>PZU-E12</b>
3 port "common input"	<b>PZU-A12</b>
3 port "cascade"	<b>PZU-C12</b>
4 port subbase*	<b>PZU-B12</b>

\* For combination with memory relay and amplified relay.

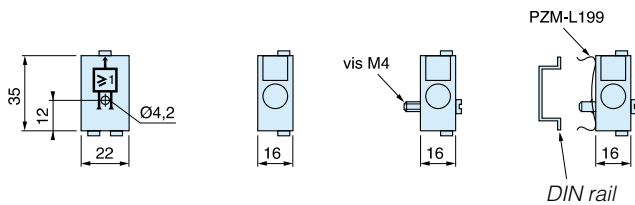
**Dimensions, Logic processing**

**Modular sequencer**



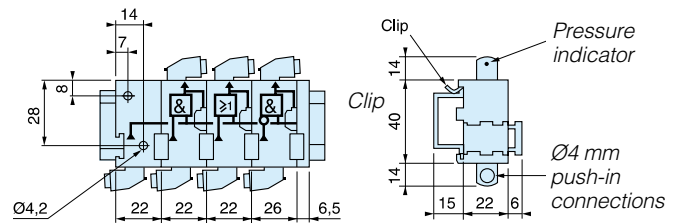
**Line mounted logic elements**

PLL-A11 and PLK-A11



**Combinable logic elements**

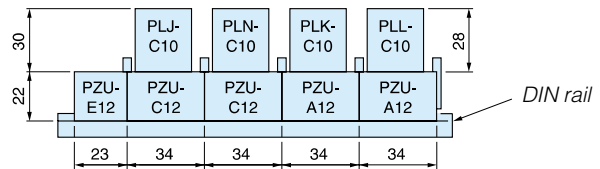
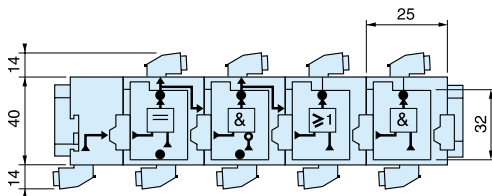
PLE-B12 — PLL-B12 — PLK-B12 and PLN-B12



**Logic elements mounted on 3-port modular subbases**

PZU-E12

PLJ-C10 — PLN-C10 — PLK-C10 and PLL-C10 mounted on PZU-C12 and PZU-A12

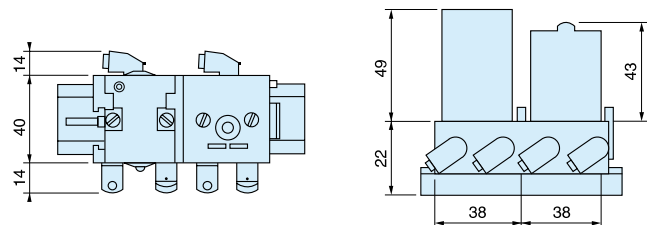
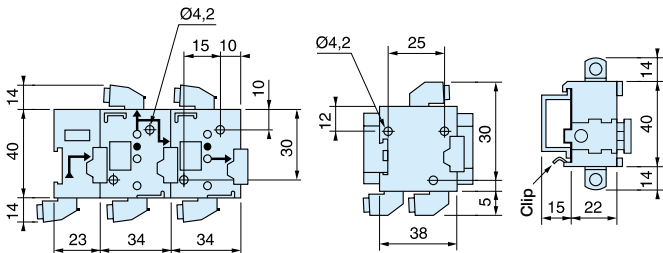


**3 and 4-port modular subbases**

PZU-E12 — PZU-C12 — PZU-A12 PZU-B12

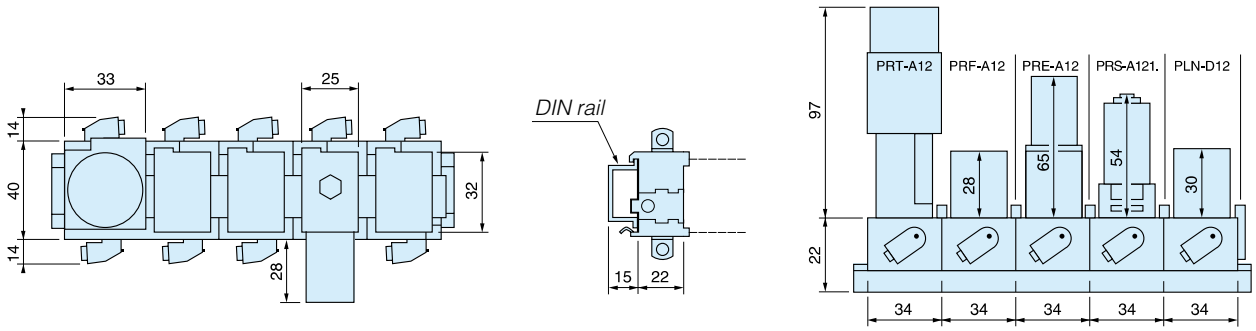
**Relays mounted on 4-port modular subbases**

PLM-A12 and PRD-A12



**Relays mounted on 3-port modular subbases**

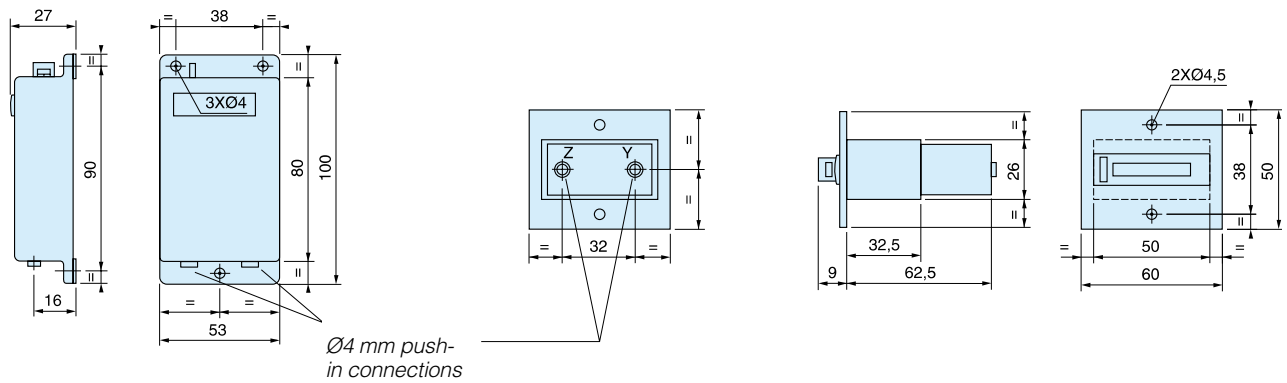
PRT-A12 — PRF-A12 — PRE-A12 — PRS-A121 and PLN-D12



**Totalling counters**

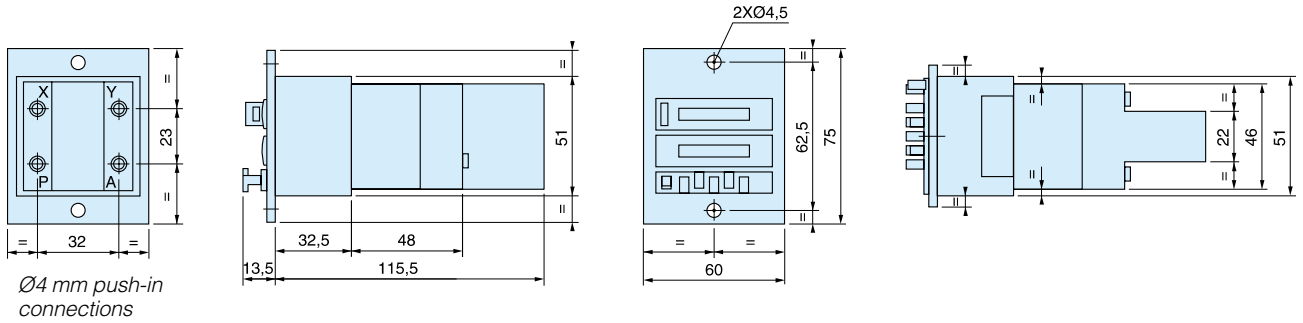
PCT-A11

PCT-B11



**Digital display timers**

PCM-A11 to PCM-B11



**Timers with calibrated dial**

PCM-F11 and PCM-G11

